

Granite Anti-Vibration Tables

Anti-vibration weighing tables for precise weighing in laboratory and industry.



SAL/STONE/C



SAL/STONE/H



SA/APP/C



SA/APP/H

Features

Anti-Vibration Construction

Granite top on a stainless steel construction enables convenient operation and eliminates ground vibrations that may influence measurement accuracy.

Base Temperature

The top ensures stable temperature of the base and the highest accuracy and repeatability of measurements.

Working Space

Large surface enables carrying out complicated measuring processes on several devices.

Various Applications

The weighing tables are intended for operation in industry and laboratory.

Compatible With

SAL/STONE/C, SAL/STONE/H:

- UYA 4Y ultra-microbalances
- MYA 4Y microbalances
- XA 4Y microbalances
- XA 4Y; AS 3Y, X2, R analytical balances
- PS 3Y, X2, R; PM 4Y, C32; WLC precision balances
- WPT bridge balances

- WPW, WPY multifunctional scales
- WPW/T/H/FH, WPW/T/HR/FH waterproof control scales
- MAS, MPS, MUYA modules
- UYA 4Y SA/APP/C, SA/APP/H manual mass comparators

SA/APP/C, SA/APP/H:

- APP.4Y.KO, PM.4Y.KB manual mass comparators

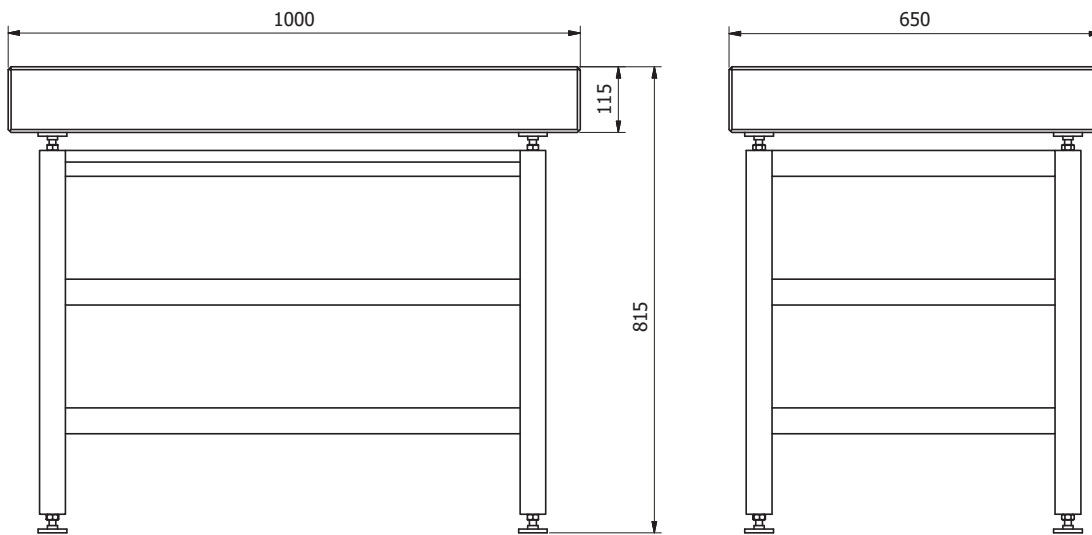
Set Content

- Top (granite)
- Base (stainless steel or powder-coated)
- Vibration-resistant feet
- Adjustable feet

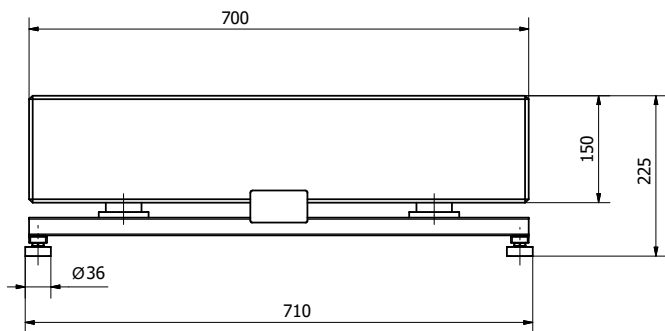
Technical Specifications

	SAL/STONE/C	SAL/STONE/H	SA/APP/C	SA/APP/H
Lenght	1000 mm	1000 mm	700 mm	700 mm
Width	650 mm	650 mm	450 mm	450 mm
Height	815 mm	815 mm	225 mm	225 mm
Top thickness	115 mm	115 mm	150 mm	150 mm
Granite top weight	~ 190 kg	~ 190 kg	~ 155 kg	~ 155 kg
Total table weight	~ 215 kg	~ 215 kg	~ 180 kg	~ 180 kg
Gross weight	~ 225 kg + transport pallet weight (approx. 25kg)	~ 225 kg + transport pallet weight (approx. 25kg)	~ 190 kg + transport pallet weight (approx. 25kg)	~ 190 kg + transport pallet weight (approx. 25kg)
Material	Polished granite / powder coated steel	Polished granite / stainless steel	Polished granite / powder coated steel	Polished granite / stainless steel
Packaging dimensions	1000x650x800mm + transport pallet	1000x650x800mm + transport pallet	700x450x225 mm + transport pallet	700x450x225 mm + transport pallet

Dimensions



SAL/STONE



SA/APP